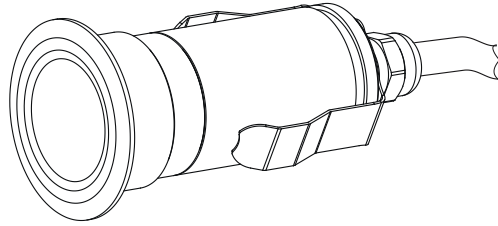


# User instructions

## ArcSource 1

The ArcSource 1 generates colored light by means of Luxeon LED. The product was designed for exterior use and it is ideal for locations where signaling, directional or effect lighting is required.



### Attention:

**Consider the respective national norms during the installation!**

- Do not install the unit near naked flames
- Avoid using the unit in locations subject to possible impacts
- Do not attempt to dismantle or modify the unit
- The unit is suitable for underwater installation up to depth of 5 m

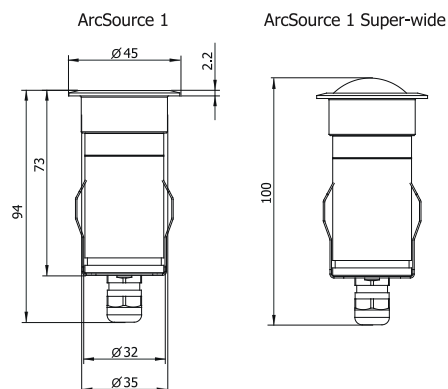
### Technical specifications:

Input voltage:	9-35V DC or 6-24V AC
Maximum power consumption:	1.6 Watts
Built-in ArcSource 1 driver:	Operates on variable AC or DC input, keeps constant current to the LED
Operating ambient temp. range:	-20°C/+40°C
Cooling system:	conduct. cooling system
LED device:	1 W Luxeon
Typical lumen maintenance:	70% @ 50,000 hours
LED life expectancy:	minimum 50,000 hours
Available glass covers:	6 mm at tempered glass (clear) optical system: 10° beam angle domed tempered glass (frosted) optical system: super wide-angle beam
Light colours:	red, green, amber, blue, cool white (6500K), warm white (3300K)
Construction:	Stainless steel top ange Brass housing
Ingress Protection:	IP 68
Wiring:	1m long Ölfex Robust 210 cable ,2x0.5mm <sup>2</sup>
Mounting depth:	90 mm (plus cca 20 mm for cable bend)

### Installation:

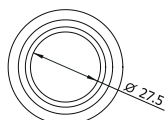
The ArcSource 1 can be arranged in any position orientation. Spring clips enable to hold the light in prepared positions in concrete, paving or walls. Connect to the end of the ArcSource's cable to the desired AC (DC) power supply.

### Dimensions(mm):



### Weight:

0.3 kg



Version 1.4

Specifications are subject to change without notice.