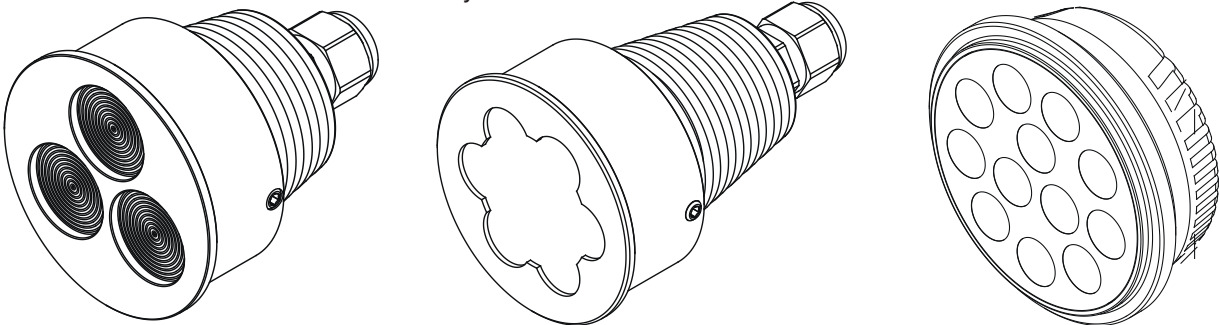


User instructions

ArcSource 3, ArcSource 6, ArcSource 7, ArcSource 12

The modules generate colored light by means of Luxeon LEDs. The products were designed to use with the ArcPower drivers and for indoor use only.



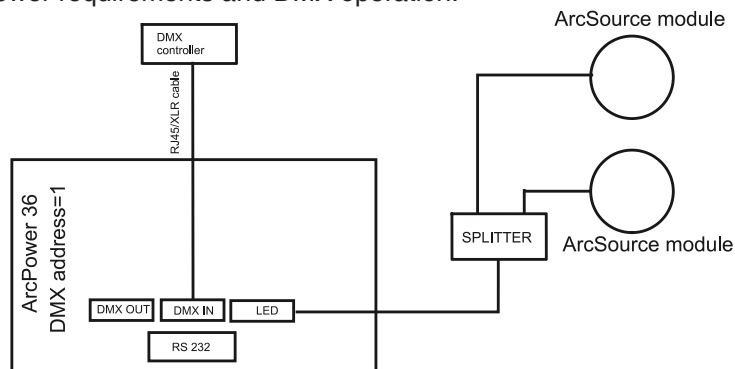
1. Attention

- Do not install the module near high inflammable liquids or materials.
- Do not allow anything to rest on the module.
- Do not use the module near high humidity or water or expose to the rain.
- Do not install the module near the naked flames.
- Do not install the module in dirty, dusty or badly ventilated location.
- Sufficient air accessing to the cooling ribs of the module housing has to be ensured.
- Use the standard MR16 fittings (for the ArcSource 3,6,7) or AR1-11 (not included) for the ArcSource 12 to fix the modules on a suitable place.

2. Installation

The ArcSource unit should be connected to the ArcPower driver according to the LEDs colour variants (RGB, WW, CW...).

See ArcPower 36, ArcPower 144 (or ArcPower SmartWhite 36, ArcPower SmartWhite 144) user manuals for full details of mains power requirements and DMX operation.



ArcSource units are supplied with 1.5 m of cable for direct connection to the ArcPower drivers.

CAUTION!
Avoid looking directly into the LED light beam at close range!

Maximum possible number of LED modules connected to the one ArcPower 36 (or one LED output of the ArcPower 144) is mentioned in the table below.

Module (colour variant)	Total LEDs	Red LEDs	Green LEDs	Blue LEDs	Amber LEDs	Cool white LEDs	Warm white LEDs	Max.number of connected modules	Example of compatible drivers
ArcSource 3 RGB	3	1	1	1	-	-	-	12	ArcPower 36 ArcPower 144
ArcSource 3 CW	3	-	-	-	-	3	-	12	ArcPower SmartWhite 36 ArcPower SmartWhite 144
ArcSource 3 WW	3	-	-	-	-	-	3	12	ArcPower SmartWhite 36 ArcPower SmartWhite 144

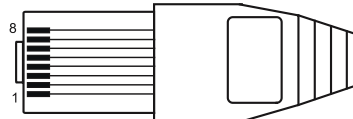
Module (colour variant)	Total LEDs	Red LEDs	Green LEDs	Blue LEDs	Amber LEDs	Cool white LEDs	Warm white LEDs	Max.number of connected modules	Example of compatible drivers
ArcSource 3 R	3	3	-	-	-	-	-	12	ArcPower SmartWhite 36 ArcPower SmartWhite 144
ArcSource 3 G	3	-	3	-	-	-	-	12	ArcPower SmartWhite 36 ArcPower SmartWhite 144
ArcSource 3 A	3	-	-	-	3	-	-	12	ArcPower SmartWhite 36 ArcPower SmartWhite 144
ArcSource 3 B	3	-	-	3	-	-	-	12	ArcPower SmartWhite 36 ArcPower SmartWhite 144
ArcSource 6 RGB	6	2	2	2	-	-	-	6	ArcPower 36 ArcPower 144
ArcSource 6 WWRGB	6	1	1	1	-	-	3	4	ArcPower 36 ArcPower 144
ArcSource 6 CWRGB	6	1	1	1	-	3	-	4	ArcPower 36 ArcPower 144
ArcSource 6 CW	6	-	-	-	-	6	-	6	ArcPower SmartWhite 36 ArcPower SmartWhite 144
ArcSource 6 WW	6	-	-	-	-	-	6	6	ArcPower SmartWhite 36 ArcPower SmartWhite 144
ArcSource 6 SW	6	-	-	-	-	2	4	6	ArcPower SmartWhite 36 ArcPower SmartWhite 144
ArcSource 6 R	6	6	-	-	-	-	-	6	ArcPower SmartWhite 36 ArcPower SmartWhite 144
ArcSource 6 B	6	-	-	6	-	-	-	6	ArcPower SmartWhite 36 ArcPower SmartWhite 144
ArcSource 6 G	6	-	6	-	-	-	-	6	ArcPower SmartWhite 36 ArcPower SmartWhite 144
ArcSource 6 A	6	-	-	-	6	-	-	6	ArcPower SmartWhite 36 ArcPower SmartWhite 144
ArcSource 7 RGBWW	7	2	2	2	-	-	1	6	ArcPower 36 ArcPower 144
ArcSource 7 RGBCW	7	2	2	2	-	1	-	6	ArcPower 36 ArcPower 144
ArcSource 7 CW	7	-	-	-	-	7	-	6	ArcPower SmartWhite 36 ArcPower SmartWhite 144
ArcSource 7 WW	7	-	-	-	-	-	7	6	ArcPower SmartWhite 36 ArcPower SmartWhite 144
ArcSource 7 R	7	7	-	-	-	-	-	6	ArcPower SmartWhite 36 ArcPower SmartWhite 144
ArcSource 7 G	7	-	7	-	-	-	-	6	ArcPower SmartWhite 36 ArcPower SmartWhite 144
ArcSource 7 B	7	-	-	7	-	-	-	6	ArcPower SmartWhite 36 ArcPower SmartWhite 144
ArcSource 7 A	7	-	-	-	7	-	-	6	ArcPower SmartWhite 36 ArcPower SmartWhite 144
ArcSource 7 WACW	7	-	-	-	2	2	3	6	ArcPower 36 ArcPower 144
ArcSource 12 RGB	12	4	4	4	-	-	-	3	ArcPower 36 ArcPower 144
ArcSource 12 WWRGB	12	2	2	2	-	-	6	2	ArcPower 36 ArcPower 144
ArcSource 12 CWRGB	12	2	2	2	-	6	-	2	ArcPower 36 ArcPower 144
ArcSource 12 CW	12	-	-	-	-	12	-	3	ArcPower SmartWhite 36 ArcPower SmartWhite 144
ArcSource 12 WW	12	-	-	-	-	-	12	3	ArcPower SmartWhite 36 ArcPower SmartWhite 144
ArcSource 12 SW	12	-	-	-	-	6	6	3	ArcPower SmartWhite 36 ArcPower SmartWhite 144

Module (colour variant)	Total LEDs	Red LEDs	Green LEDs	Blue LEDs	Amber LEDs	Cool white LEDs	Warm white LEDs	Max.number of connected modules	Example of compatible drivers
ArcSource 12 R	12	12	-	-	-	-	-	3	ArcPower SmartWhite 36 ArcPower SmartWhite 144
ArcSource 12 G	12	-	12	-	-	-	-	3	ArcPower SmartWhite 36 ArcPower SmartWhite 144
ArcSource 12 B	12	-	-	12	-	-	-	3	ArcPower SmartWhite 36 ArcPower SmartWhite 144
ArcSource 12 A	12	-	-	-	12	-	-	3	ArcPower SmartWhite 36 ArcPower SmartWhite 144

Note : You cannot combine ArcSource 7 Modules with other LED modules connected to the same LED output of the driver(e.g. ArcSource 6 RGB and ArcSource 7 RGBW).

3.RJ45 pin connection

RJ45 plug
(View facing pins)



Colour variants

Pin	Colour of wire	<u>RGB</u>	<u>Single colour</u>	<u>SW</u>	<u>WWRGB/CWRGB</u>
1	White/orange	Red LED +	Colour LED 1 +	Warm White LED 1+	Red LED +
2	Orange	Green LED +	Colour LED 2 +	Cool White LED 1+	Green LED +
3	White/green	Blue LED +	Colour LED 3 +	Warm White LED 2+	Blue LED +
4	Blue	Not used	Not used	Cool White LED 2+	White LED +
5	White/blue	Red LED -	Colour LED 1 -	Warm White LED 1-	Red LED -
6	Green	Green LED -	Colour LED 2 -	Cool White LED 1-	Green LED -
7	White/brown	Blue LED -	Colour LED 3 -	Warm White LED 2-	Blue LED -
8	Brown	Not used	Not used	Cool White LED 2-	White LED -

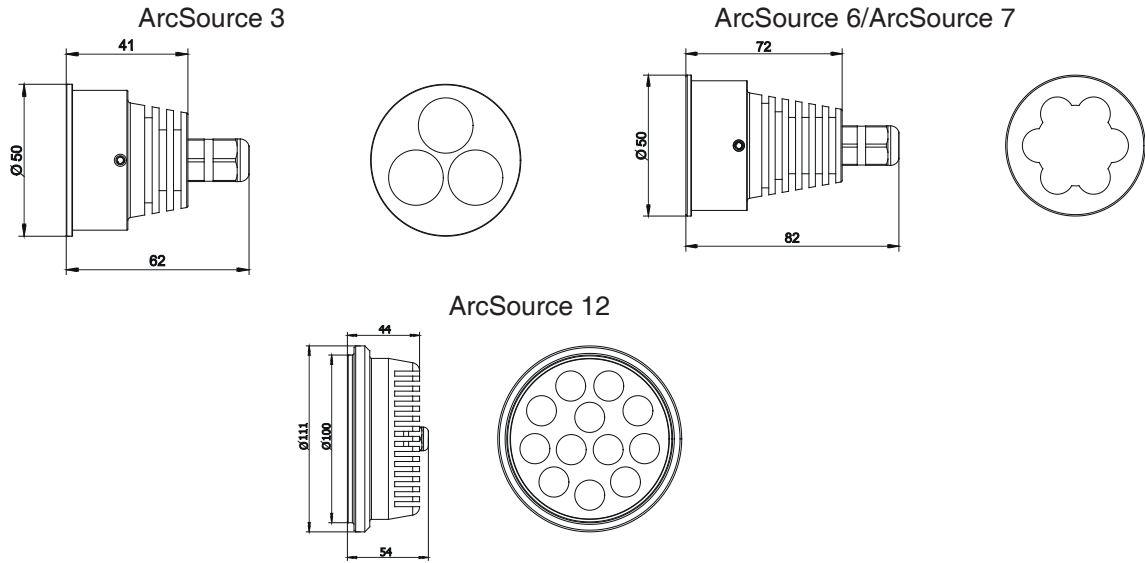
4. Technical specifications:

ArcSource	ArcSource 3	ArcSource 6	ArcSource 7	ArcSource 12
Max input current:	350 mA	350 mA	350 mA	350 mA
Maximum Power Consumption:	4.2 Watts	8.4 Watts	9.6 Watts	13.6 Watts
Compatible Power Supplies for RGB,RGBCW,WWRGB variants:	ArcPower 36,144,72,360	ArcPower 36,144,72,360	ArcPower 36,144,72,360	ArcPower 36,144,72,360
Compatible Power Supplies for SW, and single colour variants:	ArcPower SmartWhite 36,144	ArcPower SmartWhite 36,144	ArcPower SmartWhite 36,144	ArcPower SmartWhite 36,144
Operating Ambient Temp.Range:	-20°C/+40°C	-20°C/+40°C	-20°C/+40°C	-20°C/+40°C
Operating Temperature:	+50°C@ambient 25°C	+55°C@ambient 25°C	+60°C@ambient 25°C	+60°C@ambient 25°C
Cooling :	convection	convection	convection	convection
Optical Systems Available:	6°,15°,25°,38°	6°, 25°	6°, 25°	6°,15°,25°,38°
LED Device:	1Watt Luxeon	1 Watt Luxeon	1 Watt Luxeon	1 Watt Luxeon
LED Colour Variants *:	RGB,R,G,B,ACW,WW	RGB,WWRGB,RGBCW,R,G,B,A,CW,WW	RGBCW,RGBWW,R,G,B,A,CW,WW	RGB,WWRGB,CWRGB,R,G,B,A,CW,WW,SW
Warm White LEDs (WW):	3300 K	3300 K	3300 K	3300 K
Cool White LEDs (CW):	6500 K	6500 K	6500 K	6500 K
Typical Lumen Maintenance:	70%@ 50,000 hours	70%@ 50,000 hours	70%@ 50,000 hours	70%@ 50,000 hours
Led Life Expectancy:	minimum 50,000 hours	minimum 50,000 hours	minimum 50,000 hours	minimum 50,000 hours
Construction:	precision turned aluminium	precision turned aluminium	precision turned aluminium	precision turned aluminium
Weight:	0.15 kg	0.25 kg	0.25 kg	0.6 kg
Installation method:	Integral univers. mount. system	Integral univers. mount. system	Inte. universal mounting system	Inte. universal mounting system
Ingress Protection:	IP 2X	IP 2X	IP 2X	IP 2X
Flammability:	94V-0 ame class rating	94 V-2 ame class rating	94V-2 ame class rating....	94V-0 ame class rating
Power /Data plug:	RJ45	RJ45	RJ45	RJ45
Power /Data cable	24 AWG x 4P,category 5e	24 AWG x 4P,category 5e	24 AWG x 4P,category 5e	24 AWG x 4P,category 5e

* RGB - red&green&blue;R- red;B-blue;G-Green;A-Amber;CW-cool white;WW-warm white;SW-smart white;WWRGB-warm white&red&green&blue;CWRGB-Cool white&red&green&blue

5. Dimensions:

(All dimensions are in mm)



6. Accessories

ArcSource 3/6/7:

- Splitter.....1 piece (No. 13050690)
- Diffuser.....1 piece (No. 14060065)
- MR16-Down Light Fitting.....1 piece (No.17030257)

ArcSource 12:

- Splitter.....1 piece (No. 13050690)

7. Maintenance

- Keep the module dry.
- Operate only in places where the sufficient air flow to cool the module is present
- Periodically clean the front transparent cover. Use a moist, lint-free cloth. Never use alcohol or solvents!

Version 2.3

Specifications are subject to change without notice.