

User instructions

ArcSource Outdoor 3

ArcSource Outdoor 6

ArcSource Outdoor 7

The products generate colored light by means of Luxeon LEDs. The products were designed for exterior use and they are ideal for locations where signaling, directional or effect lighting is required.

1. Attention:

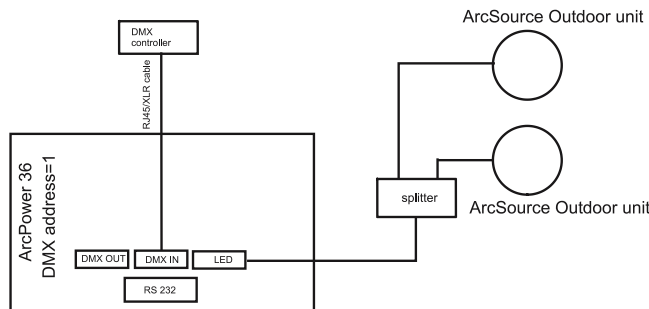
Consider the respective national norms during the installation!

- The unit is suitable for underwater installation up to depth of 5 m
- Do not install the unit near naked flames.
- Avoid using the unit in locations subject to possible impacts.
- Do not attempt to dismantle or modify the unit.
- Do not install the module in badly ventilated location
- Avoid looking directly into the LED light beam at close range.

2. Installation:

The ArcSource Outdoor unit should be connected to the ArcPower driver according to the LED colour variant (RGB, WW, CW...).

See ArcPower 36, ArcPower 144 (or ArcPower SmartWhite 36, ArcPower SmartWhite 144) user manual for full details of mains power requirements and DMX operation.

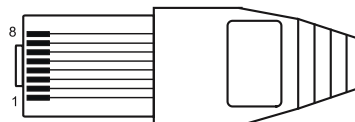


The ArcSource Outdoor unit can be arranged in any position orientation. Spotlight body is mounted on a steel “U” bracket for “tilt” adjustment, with fixings which can be locked in position to retain the focus of the unit beam. Connect the end of the ArcSource Outdoor’s cable directly to the driver or use suitable cable joint box (weather-tight for outdoor installation) if the cable has to be extended. The Belden cable that connect the ArcSource Outdoor unit to the driver ArcPower has the following wiring:

Colour variants

Pin	Colour of wire	<u>RGB</u>	<u>Single colour</u>	<u>WWRGB/CWRGB</u>
1	White/orange	Red LED +	Colour LED 1 +	Red LED +
2	Orange	Green LED +	Colour LED 2 +	Green LED +
3	White/green	Blue LED +	Colour LED 3 +	Blue LED +
4	Blue	Not used	Not used	White LED +
5	White/blue	Red LED -	Colour LED 1 -	Red LED -
6	Green	Green LED -	Colour LED 2 -	Green LED -
7	White/brown	Blue LED -	Colour LED 3 -	Blue LED -
8	Brown	Not used	Not used	White LED -

RJ45 plug
(View facing pins)



Maximum possible number of LED modules connected to the ArcPower 36 (or one LED output of the ArcPower 144) is mentioned in the table below.

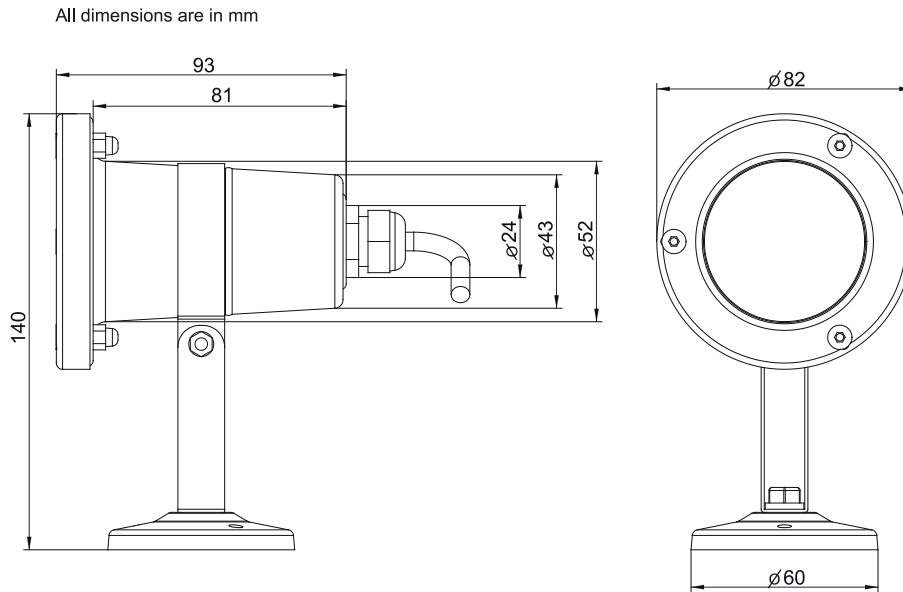
Module (colour variant)	Total LEDs	Red LEDs	Green LEDs	Blue LEDs	Amber LEDs	Cool white LEDs	Warm white LEDs	Max.number of connected modules	Compatible power supplies
ArcSource Outdoor 3 RGB	3	1	1	1	-	-	-	12	ArcPower 36 ArcPower 144
ArcSource Outdoor 3 CW	3	-	-	-	-	3	-	12	ArcPower SmartWhite 36 ArcPower SmartWhite 144
ArcSource Outdoor 3 WW	3	-	-	-	-	-	3	12	ArcPower SmartWhite 36 ArcPower SmartWhite 144
ArcSource Outdoor 3 R	3	3	-	-	-	-	-	12	ArcPower SmartWhite 36 ArcPower SmartWhite 144
ArcSource Outdoor 3 G	3	-	3	-	-	-	-	12	ArcPower SmartWhite 36 ArcPower SmartWhite 144
ArcSource Outdoor 3 B	3	-	-	3	-	-	-	12	ArcPower SmartWhite 36 ArcPower SmartWhite 144
ArcSource Outdoor 3 A	3	-	-	-	3	-	-	12	ArcPower SmartWhite 36 ArcPower SmartWhite 144
ArcSource Outdoor 6 RGB	6	2	2	2	-	-	-	6	ArcPower 36 ArcPower 144
ArcSource Outdoor 6 WWRGB	6	1	1	1	-	-	3	4	ArcPower 36 ArcPower 144
ArcSource Outdoor 6 CWRGB	6	1	1	1	-	3	-	4	ArcPower 36 ArcPower 144
ArcSource Outdoor 6 CW	6	-	-	-	-	6	-	6	ArcPower SmartWhite 36 ArcPower SmartWhite 144
ArcSource Outdoor 6 WW	6	-	-	-	-	-	6	6	ArcPower SmartWhite 36 ArcPower SmartWhite 144
ArcSource Outdoor 6 R	6	6	-	-	-	-	-	6	ArcPower SmartWhite 36 ArcPower SmartWhite 144
ArcSource Outdoor 6 G	6	-	6	-	-	-	-	6	ArcPower SmartWhite 36 ArcPower SmartWhite 144
ArcSource Outdoor 6 B	6	-	-	6	-	-	-	6	ArcPower SmartWhite 36 ArcPower SmartWhite 144
ArcSource Outdoor 6 A	6	-	-	-	6	-	-	6	ArcPower SmartWhite 36 ArcPower SmartWhite 144
ArcSourceOutdoor 7 RGBCW	7	2	2	2	-	1	-	6	ArcPower 36 ArcPower 144
ArcSourceOutdoor 7 RGBWW	7	2	2	2	-	-	1	6	ArcPower 36 ArcPower 144
ArcSource Outdoor 7 CW	7	-	-	-	-	7	-	6	ArcPower SmartWhite 36 ArcPower SmartWhite 144
ArcSource Outdoor 7 WW	7	-	-	-	-	-	7	6	ArcPower SmartWhite 36 ArcPower SmartWhite 144
ArcSource Outdoor 7 R	7	7	-	-	-	-	-	6	ArcPower SmartWhite 36 ArcPower SmartWhite 144
ArcSource Outdoor 7 G	7	-	7	-	-	-	-	6	ArcPower SmartWhite 36 ArcPower SmartWhite 144
ArcSource Outdoor 7 B	7	-	-	7	-	-	-	6	ArcPower SmartWhite 36 ArcPower SmartWhite 144
ArcSource Outdoor 7 A	7	-	-	-	7	-	-	6	ArcPower SmartWhite 36 ArcPower SmartWhite 144

4. Technical specifications:

Parameter	ArcSource Outdoor 3	ArcSource Outdoor 6	ArcSource Outdoor 7
Max input current:	350 mA	350 mA	350 mA
Maximum power consumption:	4.2 Watts	8.4 Watts	9.6 Watts
Comp. power supplies for RGB /WWRGB variant:	ArcPower 36,ArcPower 144	ArcPower 36,ArcPower 144	ArcPower 36,ArcPower 144
Comp. power supplies for WW/CW and monotone variant:	ArcPower SmartWhite 36,144	ArcPowerSmartWhite 36,144	ArcPowerSmartWhite 36,144
Operating ambient temp.range:	-20°C/+30°C	-20°C/+30°C	-20°C/+30°C
Cooling system:	conduct. cooling system	conduct. cooling system	conduct. cooling system
LED device:	1 W Luxeon	1W Luxeon	1W Luxeon
Number of LEDs	3	6	7
Optical systems available:	6°,15°,25°	6°,25°	6°,25°
Typical Lumen maintenance:	70%@ 50,000 hours	70%@ 50,000 hours	70%@ 50,000 hours
LED life expectancy:	minimum 50,000 hours	minimum 50,000 hours	minimum 50,000 hours
LED colour variants *:	RGB,CW,WW,R,G,B,A	RGB,WWRGB,CWRGB,CW,WW,R,G,B,A	RGB,WWRGB,CWRGB,CW,WW,R,G,B,A
Colour temperature for WW/CW variant:	3300K/6500 K	3300K/6500 K	3300K/6500 K
Ingress Protection:	IP 68	IP 68	IP 68
Top ange shape	round	round	round
Construction:			
top ange housing	stainless steel	stainless steel	stainless steel
"U" bracket & screws	stainless steel	stainless steel	stainless steel
transparent cover	tempered glass	tempered glass	tempered glass
Weight:	0.5 kg	0.6 kg	0.6 kg
Power /Data connection plug:	RJ45	RJ45	RJ45
Power /Data connection cable:	Belden Cable 7930A Paired-Pata Tuff Category 5e,AWG 24,1.5 m long (for all models)		

* RGB - red,green,blue;WWRGB - warm white,red,green,blue;CWRGB - cool white,red,green,blueR- red;G-green;B-blue;A-amber;CW-cool white;WW-warm white;

5. Dimensions:



6. Accessories

Splitter.....1 piece (No. 13050690)