

User instructions

ArcSource Wall 3, ArcSource Twin Wall 3

The products generate colored light by means of Luxeon LEDs. The products were designed for exterior use and they are ideal for locations where signaling, directional or effect lighting is required.

1. Attention:

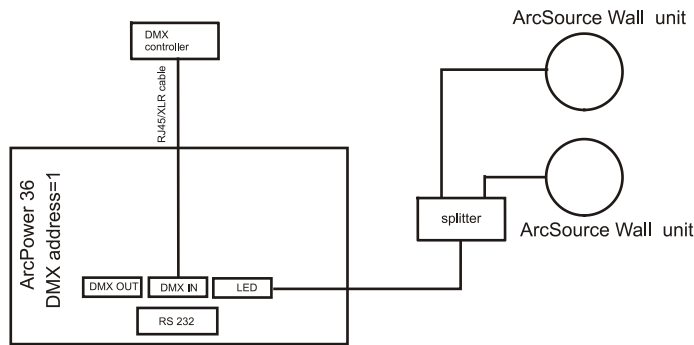
Consider the respective national norms during the installation!

- Do not install the unit near naked flames.
- Avoid using the unit in locations subject to possible impacts.
- Do not attempt to dismantle or modify the unit.
- Do not install the module in badly ventilated location
- Avoid looking directly into the LED light beam at close range.

2. Installation:

The ArcSource Wall unit should be connected to the ArcPower driver according to the LED colour variant (RGB, WW, CW...).

See ArcPower 36 ,ArcPower 144 (or ArcPower SmartWhite 36, ArcPower SmartWhite 144) user manual for full details of mains power requirements and DMX operation.

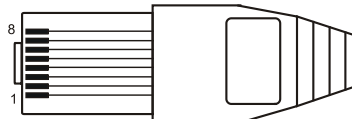


The ArcSource Wall unit can be arranged in any position orientation. Body of stainless steel tube is mounted on 75mm diameter mounting base.

Connect the end of the ArcSource Wall's cable directly to the driver or use suitable cable joint box (weather-tight for outdoor installation) if the cable has to be extended. The Belden cable that connect the ArcSource Outdoor unit to the driver ArcPower has the following wiring:

Pin	Colour of wire	RGB	Single colour
1	white/orange	Red LED +	Colour LED 1 +
2	orange	Green LED +	Colour LED 2 +
3	white/green	Blue LED +	Colour LED 3 +
4	blue	Not used	Not used
5	white blue	Red LED -	Colour LED 1 -
6	green	Green LED -	Colour LED 2 -
7	white/brown	Blue LED -	Colour LED 3 -
8	brown	Not used	Not used

RJ45 plug
(View facing pins)



Maximum possible number of ArcSource units connected to the one ArcPower 36 (or one LED output of the ArcPower 144) is mentioned in the table below.

Unit (colour variant)	Total LEDs	Red LEDs	Green LEDs	Blue LEDs	Amber LEDs	Cool white LEDs	Warm white LEDs	Max. number of connected modules	Compatible power supplies
ArcSource Wall 3 RGB	3	1	1	1	-	-	-	12	ArcPower 36 ArcPower 144
ArcSource Wall 3 CW	3	-	-	-	-	3	-	12	ArcPower SmartWhite 36 ArcPower SmartWhite 144
ArcSource Wall 3 WW	3	-	-	-	-	-	3	12	ArcPower SmartWhite 36 ArcPower SmartWhite 144

Unit (colour variant)	Total LEDs	Red LEDs	Green LEDs	Blue LEDs	Amber LEDs	Cool white LEDs	Warm white LEDs	Max.number of connected modules	Compatible power supplies
ArcSource Wall 3 R	3	3	-	-	-	-	-	12	ArcPower SmartWhite 36 ArcPower SmartWhite 144
ArcSource Wall 3 G	3	-	3	-	-	-	-	12	ArcPower SmartWhite 36 ArcPower SmartWhite 144
ArcSource Wall 3 B	3	-	-	3	-	-	-	12	ArcPower SmartWhite 36 ArcPower SmartWhite 144
ArcSource Wall 3 B	3	-	-	-	3	-	-	12	ArcPower SmartWhite 36 ArcPower SmartWhite 144
ArcSource Twin Wall 3 RGB	6	2	2	2	-	-	-	6	ArcPower 36 ArcPower 144
ArcSource Twin Wall 3 CW	6	-	-	-	-	6	-	6	ArcPower SmartWhite 36 ArcPower SmartWhite 144
ArcSource Twin Wall 3 WW	6	-	-	-	-	-	6	6	ArcPower SmartWhite 36 ArcPower SmartWhite 144
ArcSource Twin Wall 3 R	6	6	-	-	-	-	-	6	ArcPower SmartWhite 36 ArcPower SmartWhite 144
ArcSource Twin Wall 3 R	6	-	6	-	-	-	-	6	ArcPower SmartWhite 36 ArcPower SmartWhite 144
ArcSource Twin Wall 3 B	6	-	-	6	-	-	-	6	ArcPower SmartWhite 36 ArcPower SmartWhite 144
ArcSource Twin Wall 3 A	6	-	-	-	6	-	-	6	ArcPower SmartWhite 36 ArcPower SmartWhite 144

4. Technical specifications:

Parameter	ArcSource Wall 3	ArcSource Twin Wall 3
Max input current:	350 mA	350 mA
Maximum Power Consumption:	4.2 Watts	8.4 Watts
Comp. Power Supplies for RGB variant:	ArcPower 36, ArcPower 144	ArcPower 36, ArcPower 144
Comp. Power Supplies for WW/CW and single colour variants:	ArcPower SmartWhite 36, 144	ArcPower SmartWhite 36, 144
Operating Ambient Temp. Range:	-20°C/+30°C	-20°C/+30°C
Cooling System:	convection	convection
Led device:	1 W Luxeon	1W Luxeon
Number of LEDs	3	6
Optical Systems Available:	6°, 15°, 25°	6°, 15°, 25°
Typical Lumen Maintenance:	70% @ 50,000 hours	70% @ 50,000 hours
Led Life Expectancy:	minimum 50,000 hours	minimum 50,000 hours
LED colour variants*:	RGB, CW, WW, R, B	RGB, CW, WW, R, B
Colour temperature for WW variant	3300K	3300K
Colour temperature for CW variant	6500 K	6500K
Ingress Protection:	IP 43	IP 43
Top flange shape	round	round
Construction:		
body	stainless steel:	stainless steel
mounting base	stainless steel	stainless steel
transparent cover	tempered glass	tempered glass
Weight:	0.7kg	1.2 kg
Power /Data plug:	RJ45	RJ45
Power /Data Connection cable:	Belden Cable 7930A Paired-Pata Tuff Cat. 5e, AVG 24 (for both models); 1.5 m long	

* RGB - red&green&blue;G-green;R- red;B-blue;A-Amber;CW-cool white;WW-warm white

5. Accessories

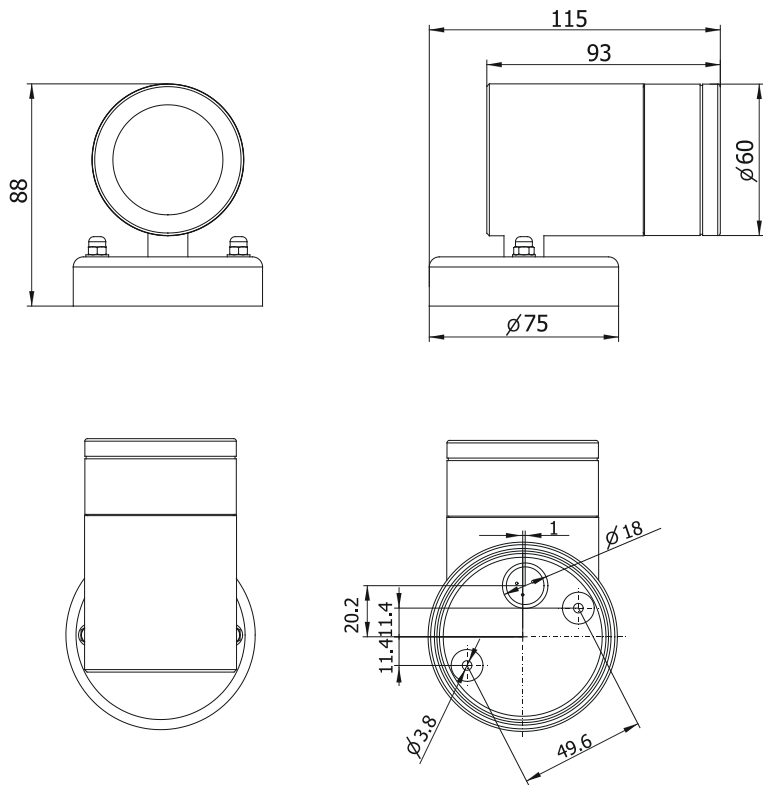
Splitter(No. 13050690).....1 pcs

6. Maintenance

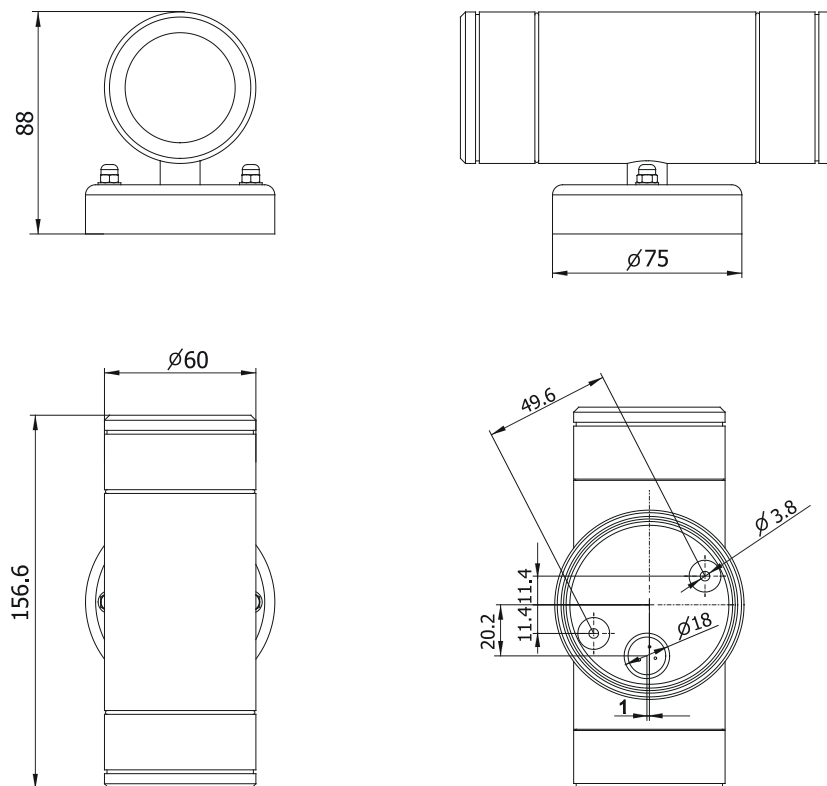
Periodically clean the front transparent cover, particularly if the unit is exposed to the weather.

7. Dimensions:
 (All dimensions are in mm)

ArcSource Wall 3



ArcSource Twin Wall 3



Version 2.2
 Specifications are subject to change without notice.