

# Compact 18 Sub Compact series



## INTRODUCTION

The D.A.S. Compact 18 Sub is a high-performance self-powered vented subwoofer system.

## APPLICATIONS

The system is intended as subwoofer reinforcement for the Compact 2 system, or may be used as subwoofer complement for other passive or powered mid-high systems.

## DESCRIPTION

The system 2 incorporates a 500 W class D switching amplifier, powering the low-frequency transducer.

The unit utilizes a high efficiency 18" low frequency speaker with 4" voice coil and a lightweight Neodymium based magnet structure.

The rectangular enclosure is manufactured from Wisa® Birch plywood and is finished with a durable catalyzed polyurethane paint.

A heavy-duty steel grille with a reticulated foam filter inside protects the speaker components. The covering provides protection from dust and dirt, and is both acoustically transparent and flame retardant.

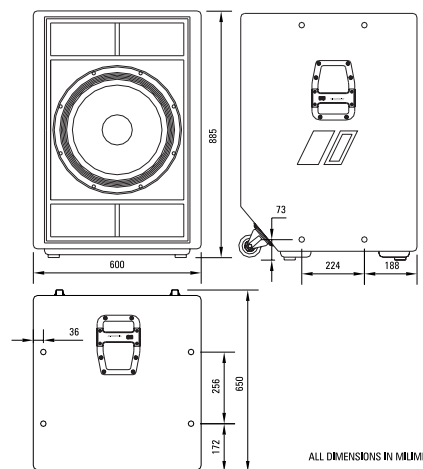
16 integrated rigging points that accept 10M steel eyebolts are provided. The ANL-2, an optional set of four forged steel eyebolts and carabiners, is available.

## FEATURES

- » Self-powered direct radiator sub-woofer system
- » 1000 W power amplifier
- » 18" low frequency Neodymium magnet cone speaker
- » Built-in xover with high-pass output

## SPECIFICATIONS

<b>Nominal Power Amplifier:</b>	1000 W <sub>RMS</sub>
<b>Input Type:</b>	Balanced Differential Line
<b>Input Impedance:</b>	Line: 25 kΩ
<b>Sensitivity:</b>	Line: 0.88 V (+1.1 dBu)
<b>On-axis Acoustical Frequency Range<sup>F</sup>:</b>	40 Hz - 110 Hz
<b>Rated Maximum Peak SPL at 1 meter:</b>	135 dB
<b>Nominal -6 dB Beamwidths<sup>B</sup>:</b>	360° Horizontal
(100 Hz octave)	360° Vertical
<b>Enclosure Material:</b>	Wisa® Birch Plywood
<b>Finish:</b>	Black Catalyzed Polyurethane Paint
<b>Transducers:</b>	LF: 18 GN
<b>Connectors:</b>	INPUT: Female XLR
	LOOP THRU: Male XLR
	SATELLITE OUTPUT: Male XLR
<b>AC Power Requirements:</b>	AC INPUT: PowerCon NAC 3
	115 V, 50 Hz/60 Hz
	230 V, 50 Hz/60 Hz
<b>Dimensions (H x W x D):</b>	88.5 x 60 x 65 cm
	(35 x 23.5 x 25.5 in)
<b>Weight:</b>	66 kg
	(145 lbs)
<b>Shipping Weight:</b>	70.5 kg
	(155 lbs)
<b>Accessories (optional):</b>	ANL-2, 4-piece M10 eyebolt/carabiner set



ALL DIMENSIONS IN MILLIMETERS

TEC18Sub-00  
09/2002

<sup>F</sup> As per IEC 268-5 (1989, -10 dB). Half space anechoic.  
<sup>B</sup> Average of one-third octave band measures.  
One and one-third octave bands comply to ANSI S1.11-1986.