



FEATURES

- » Compact sized 3-way active system
- » 500 W LF + 500 W MF/HF
- » 15" low frequency cone speaker
- » 10" mid frequency horn-loaded cone speaker
- » 4" diaphragm compression driver

SPECIFICATIONS

RMS (Average) Power Handling^R:	LF: 500 W MF/HF: 500 W
Program Power Handling^P:	LF: 1000 W MF/HF: 1000 W
Peak Power Handling^K:	LF: 2000 W MF/HF: 2000 W
On-axis Frequency Range (-10 dB):	50 Hz - 18 kHz
Nominal Impedance:	LF: 8 Ω; MF/HF: 8 Ω
On-axis Sensitivity 1W / 1 m:	LF: 102 dB SPL MF/HF: 106 dB SPL
Rated Peak SPL at Full Power:	LF: 135 dB MF/HF: 139 dB
Nominal -6 dB Beamwidths:	60° H x 50° V (90° x 60° optional)
Enclosure Material:	Plywood
Finish:	Black Paint
Transducers/Replacement Parts:	LF: 15 BN/GM 15B MF: 10BN/GM 10B HF: ND-10/GM K-8H
Connector:	2 x NL8 Speakon, wired ±2 LF ±3 MF/HF
Dimensions (H x W x D):	88.5 x 60 x 65 cm 35 x 23.5 x 25.5 in
Weight:	63.5 kg (140 lb)
Accessories (optional):	ANL-3 FUN-Compact 2

INTRODUCTION

The D.A.S. ST-1510 is a 2-way mid-high unit designed for high efficiency and long throw (60° x 50° high frequency horn) or medium throw (90° x 60° high frequency horn).

APPLICATIONS

The ST-1510 system is intended for use in sound reinforcement applications where midrange presence and pattern control are desired. It would normally be reinforced with the ST-182 subwoofer unit, but the bass response allows the system to be used as a stand alone full-range unit.

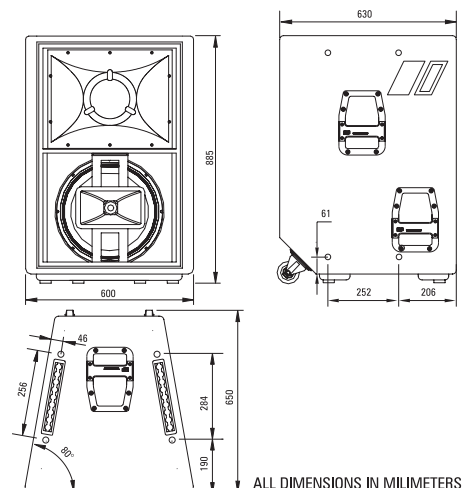
DESCRIPTION

All the transducers in the system feature Neodymium magnets for low weight. The low frequency section utilizes a high efficiency 15" low frequency speaker with 4" voice coil. The mid range frequencies are reproduced by a 10" horn loaded cone loudspeaker, developing high sensitivity and consistent pattern control. The high frequency section makes use of a 1.5" exit compression driver with 4" titanium diaphragm, coupled to a constant directivity horn which is mounted coaxially to the 15" woofer, resulting in a compact sized 3-way system.

The trapezoidal enclosure is manufactured from plywood and is finished with a durable catalyzed polyurethane paint.

A heavy-duty steel grille with a reticulated foam filter inside protects the speaker components. The covering provides protection from dust and dirt, and is both acoustically transparent and flame retardant.

Anca track flying hardware provides a suspension option that is safe and simple to use. It permits fast and straightforward arcing of arrays. 16 M10 eyebolt based points are also included.



ALL DIMENSIONS IN MILLIMETERS

^R Based on a 2 hour test using a 6 dB crest factor pink noise signal bandlimited according to IEC 268-1 (1985). All power ratings are referred to the nominal impedance.

^P Conventionally 3 dB higher than the RMS measure, although this already utilizes a program signal.

^K Corresponds to the signal crests for the test described in^R.