

Electrical

- Standard 230V, 50/60Hz power supply (others available on request)
- Lamp-holder type G 38
- 2m power supply cable (plug available on request)
- Strain relief cable clamp entry into light housing

Safety

- Safety mesh
- Filter-frame locking system
- Compliance to CE EN 60598-2-17 standards

Optical

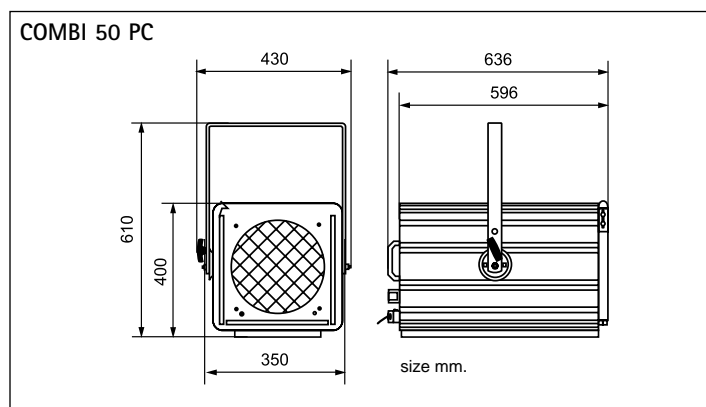
- Spherical reflector in 99.99% polished and treated aluminium: 200mm diameter
- 250mm diameter borosilicate lens mounted onto extended holders to allow ventilation

Mechanical

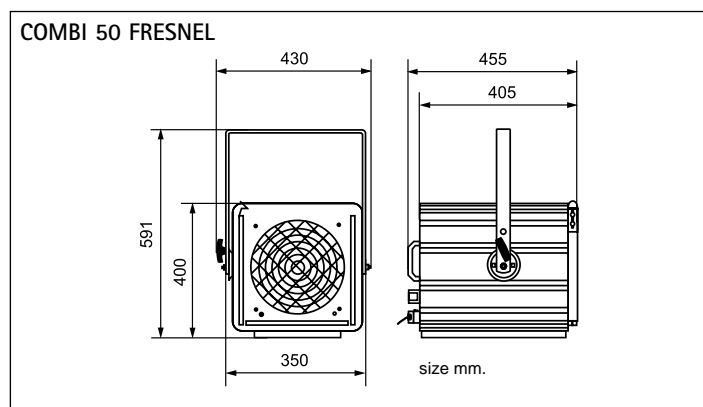
- Extruded aluminium and steel housing
- Black Epoxy Resin paint
- Labyrinth ventilation to avoid spill light

Operational

- Access for lamp maintenance from top removable cover
- Yoke with 10mm diameter hole, adjustable height, reversible
- Heat insulated knobs and handles
- Focus adjustment by an endless screw mechanism operated by rear knob



Net weight Kg 24 – Gross weight Kg 28 – Box volume m³ 0.240



Net weight Kg 19 – Gross weight Kg 23 – Box volume m³ 0.220

Information for ordering accessories and different versions

Code

• Combi 50 PC with safety net	COM 50 PC
• Combi 50 Fresnel with safety net	COM 50 F
Accessories	
• Colour filter frame	TC S50
• 4-door rotatable barndoors	PL 4 S50
• Safety bond	FUNE
• Theatre C-hook in black painted steel for 30 to 50mm diameter tubes	GAC
• TV C-hook in die-cast aluminium (PIVOT DIN adaptor required)	A8
• 29mm / M10 spigot adapter	PIVOT DIN
• Aluminium clamp for 50mm diameter tubes	HC / 500
• Colour changing scroller, DMX 512 or 0/10V controlled	on request
Options	
• Clear lens for Combi 50 PC	on request
• 100-120V lamp version	on request

Lamps

Film/TV/Theatre (3200 °K)

Type / Order code	CP85
Power (W)	5000
Lampholder	G38
Light-centre/base lamp distance (mm)	165
Luminous flux (Lumen)	135000
Life time (hours)	500
Colour temperature (°K)	3200
Supply voltage (V)	230
Nominal current (Amp.)	21.7